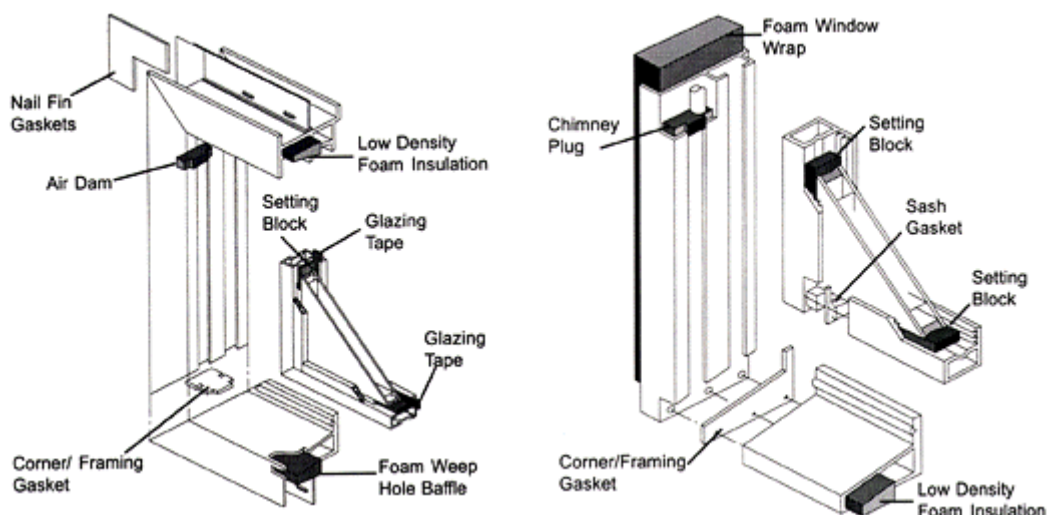




Secon Rubber and Plastics produces a variety of plastic and rubber products for the architectural and automotive markets. Secon focuses on customer satisfaction and quality.

Secon manufactures the following specialty products for the Window and Door market:



Glazing Tape

A.A.M.A. approved glazing tapes made of closed cell foam are an efficient and cost effective way of glazing both residential and commercial windows. We offer both PVC and polyethylene foam glazing tapes coated with an aggressive acrylic adhesive system and available with both plastic and paper release liners.

Window Wrap

Urethane foam laminated with a supported adhesive system makes an excellent air seal and acoustical barrier. Window wrap is fabricated to fit your specific window frame. To apply, simply remove the release liner and adhere the wrap along the perimeter of the frame before setting the window unit into the wall opening.

Thermal Spacing Tape

Spacing tapes are used for in shop glazing and field glazing of commercial units. These tapes are used as a spacer and as an assembly aid in conjunction with structural silicones. Thermal spacing tapes are available with adhesive on one or two sides.

Setting Blocks / Glazing Blocks

Blocks are typically made out of 80 durometer neoprene and used to position the glass into the frame. We can provide blocks with or without adhesive backing. Silicone blocks and other compounds used for silicone compatibility are also available.

Corner /Framing Gaskets

These gaskets are placed into the window frame corners prior to assembly to form an air and water seal. Corner/ Framing gaskets are a very cost effective and efficient way to seal the window corners..

Nail Fin Gaskets

Nail fin gaskets are applied to the four corner seams on the nail fin. These gaskets are made from thin gauge UV stable material laminated with a supported acrylic adhesive system to maintain a long lasting seal.

Weep Hole Baffles

Baffles perform several functions in addition to allowing water and moisture to weep out of the frame. They tend to minimize the amount of dirt and insects from entering the frame in addition to reducing wind noise. Baffles are fabricated out of reticulated PVC coated urethane foam to resist degradation and sized to meet your specific needs.

Air Dams / Chimney Plugs

Closed cell and open cell materials are available custom manufactured to meet your specific application. These dams and plugs are used to reduce air and water travel in addition to minimizing wind noise.

Glass Pads /Shipping Pads

Pads are placed between the window frames or lites of glass to reduce abrasion or glass breakage during shipment or in factory transfers. We offer cork, polyethylene, rebonded foam and other materials laminated with removable or permanent adhesive and CLING FOAM®.